



Long Life Reliability  
does not cost the earth

**Connection  
Systems**



 **Plane Power**

# Plane Power P28 Aircraft Connector

Connection of 28VDC ground power supply to aircraft

[www.lpa-group.com](http://www.lpa-group.com)

[enquiries@lpa-connect.com](mailto:enquiries@lpa-connect.com)

+44 (0) 1799 512800

Easy connection to cable

---

Low maintenance

---

IP66 & IP67 rated (no filler required)

---

Suitable for a wide range of composite and single core cables

---

External components manufactured from impact, abrasion and chemically resistant thermally stable polymers

---

Exterior handle / strain relief system

---

High conductivity silver-plated copper contacts

---

## TECHNICAL SPECIFICATION

Nominal voltage: 28VDC

Current carrying capacity: 450A (power), 35A (control)

Current overload: 1500A for 1 minute (power)

High voltage test: 4000V

Operating temperature: -25°C to +90°C (includes temperature rise)

Ingress protection: IP66 & IP67

Applicable standards: ISO 461-1, ISO 461-2, VG 96966 and MIL-C-7974D

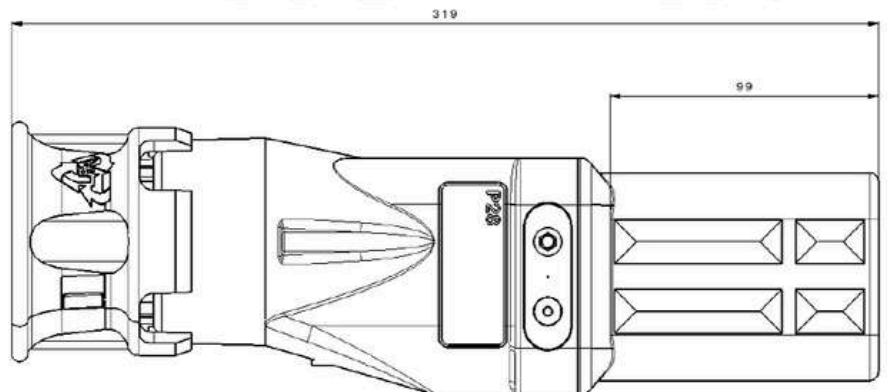
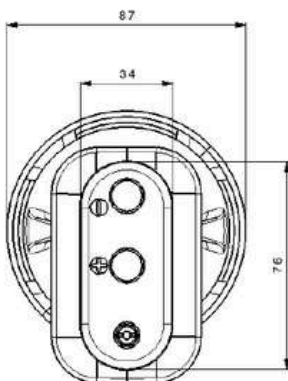
## PRODUCT CODE

P28

## WEIGHT

Overall weight: 1.2kg

## DIMENSIONS



All dimensions in mm

LPA Connection Systems makes every effort to ensure the accuracy of the information contained within this datasheet. **However** we reserve the right to **withdraw** and re-issue this datasheet at a later date.



FM 01660

FM 759856



EMS 758363



**LPA Connection Systems**  
enquiries@lpa-connect.com  
+44 (0) 1799 512800  
[www.lpa-group.com](http://www.lpa-group.com)

**Light & Power House**  
Shire Hill  
Saffron Walden  
CB11 3AQ, UK

# PLANE POWER P28 SOCKET PART NUMBER CONFIGURATOR



1	Standard
2	90% insertion



	+	-
1	120mm <sup>2</sup>	120mm <sup>2</sup>
2	95mm <sup>2</sup>	95mm <sup>2</sup>
3	70mm <sup>2</sup>	70mm <sup>2</sup>
4	35/50mm <sup>2</sup>	30/50mm <sup>2</sup>
5	2x70/95mm <sup>2</sup>	2x70/95mm <sup>2</sup>
6	2x35/50mm <sup>2</sup>	2x35/50mm <sup>2</sup>

0	No sensor
1	PT100
2	PTC120
3	PTC100

A	To suit 1 x Ø 34 - 36mm cable
B	To suit 1 x Ø 36 - 38mm cable
C	To suit 1 x Ø 38 - 40mm cable
D	To suit 1 x Ø 40 - 42mm cable
E	To suit 1 x Ø 42 - 45mm cable
F	To suit power 2 x Ø10 - 12mm control 1 x Ø9 - 11mm
G	To suit power 2 x Ø12 - 14mm control 1 x Ø9 - 11mm
H	To suit power 2 x Ø14 - 16mm control 1 x Ø9 - 11mm
J	To suit power 2 x Ø16 - 18mm control 1 x Ø9 - 11mm
K	To suit power 2 x Ø18 - 20mm control 1 x Ø9 - 11mm
L	To suit power 2 x Ø20 - 22mm control 1 x Ø9 - 11mm
M	To suit power 2 x Ø21 - 23mm control 1 x Ø9 - 11mm
N	To suit power 2 x Ø23 - 25mm control 1 x Ø9 - 11mm
P	To suit power 4 X Ø10 - 12mm control 1 X Ø9 - 11mm
Q	To suit power 4 X Ø12 - 14mm control 1 X Ø9 - 11mm
R	To suit power 4 X Ø14 - 16mm control 1 X Ø9 - 11mm
S	To suit power 4 X Ø16 - 18mm control 1 X Ø9 - 11mm



LPA Connection Systems  
 enquiries@lpa-connect.com  
 +44 (0) 1799 512800  
 www.lpa-group.com

Light & Power House  
 Shire Hill  
 Saffron Walden  
 CB11 3AQ, UK