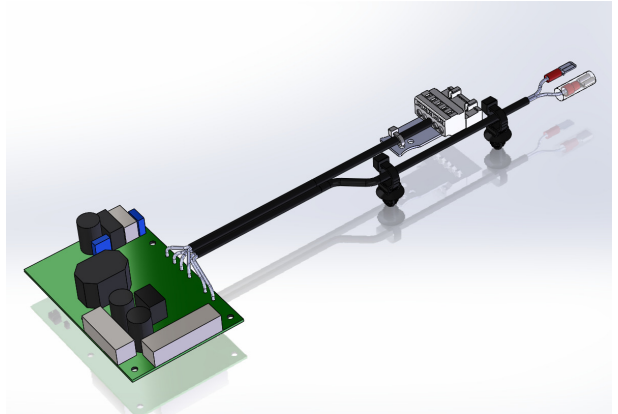


1012 Series - Reading Light and USB Charger



Product Overview

- 72V Input LED Reading Light Driver
- Twin 1A USB Charger
- Touch Sensitive Secretary Light Control
- Reed Switch Activated Linear LED Secretary Light
- Low Power Ambient Light
- Momentary Switch Reading Light Control
- Interconnection Looms



Technical Overview

Specification

Power Supply and Control Board	
Operating Supply Range	50-90Vdc
Maximum Input Power	20W
Output Specification	2 x 5Vdc±0.2V 350mA
	2 x Secretary 5Vdc±0.2V
	2 x USB 5Vdc±0.2V 1A
	2 x Secretary Light Control
MTBF MIL-HDBK-217F (40°C) (hrs)	246582hrs
Reading Light	
Operating Current	350mA±20mA
Operating Power	1W
LED Technology	LXH8-FW40-3 (Y)
Luminous Flux	114lm
CRI	>80
MTBF MIL-HDBK-217F (40°C) (hrs)	905797101hrs



Ambiet Light	
Operating Current	65mA±5mA
Operating Voltage	5Vdc
Operating Power	0.325W (including on board current regulator)
LED Technology	STW8Q14C
Luminous Flux	27lm
CRI	>80
MTBF MIL-HDBK-217F (40°C) (hrs)	150084663hrs
USB Charger	
Output Voltage	5Vdc±0.25V
Output Current	1A
Short Circuit Protection	Yes
MTBF MIL-HDBK-217F (40°C) (hrs)	5488868hrs
Secretary Light	
Operating Current (max)	205mA
Operating Voltage	5Vdc
Operating Power (max)	1.1W (including on board current regulator)
LED Technology	STW8Q14C
Luminous Flux (Max)	85lm
CRI	>80
MTBF MIL-HDBK-217F (40°C) (hrs)	24866174hrs
Reed Switch	
Part Number	RI-27A
Type	Single-pole, single-throw
Contacts	Gold
Operating Voltage	5Vdc
Operating Current	<10mA
MTBF MIL-HDBK-217F (40°C) (hrs)	8358368hrs

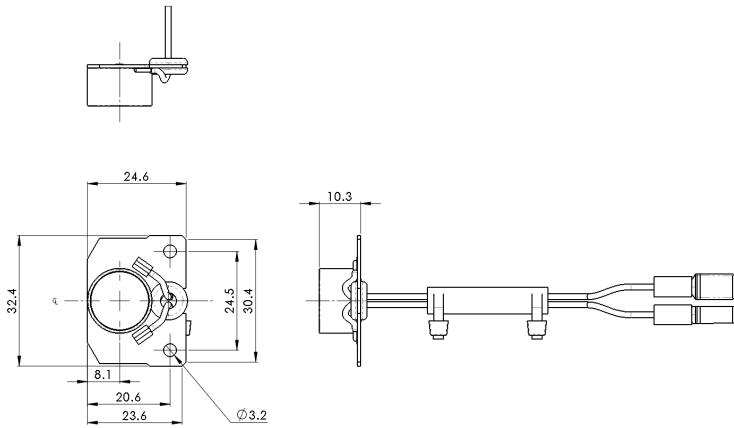


Secretary Light Controller	
Operating Voltage	5Vdc
Intensity Steps	5
Start Up Level	50% intensity
Touch Sensitive	Yes
MTBF MIL-HDBK-217F (40 °C) (hrs)	2495974hrs
General	
Operating temperature Range	-25 °C to +55 °

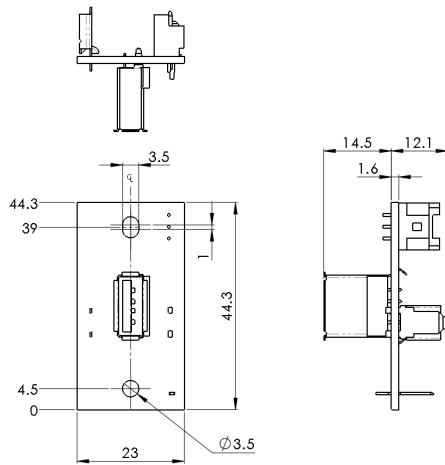


Mechanical Specification

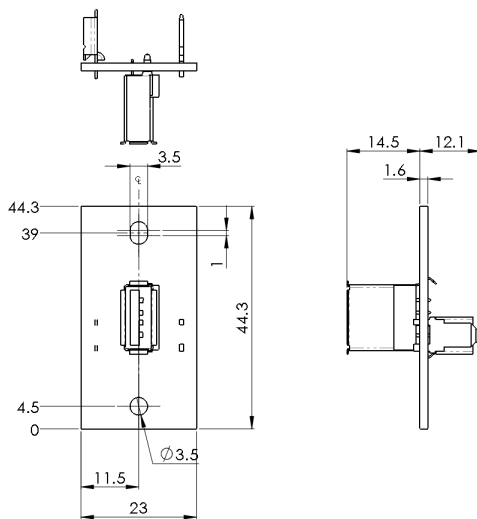
Reading light



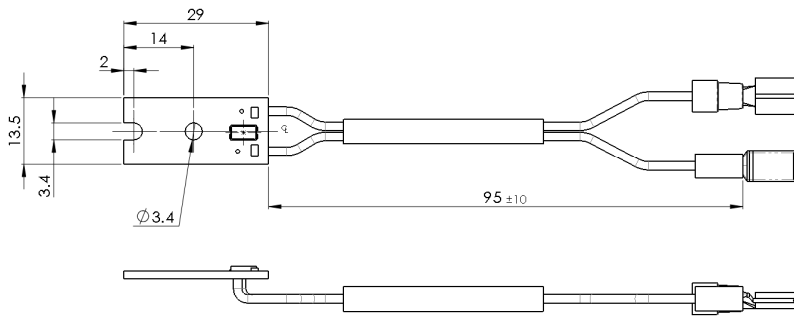
USB 1CL



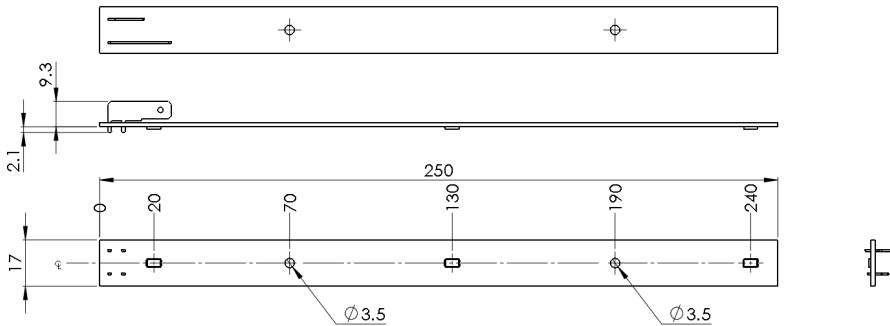
USB 2CL



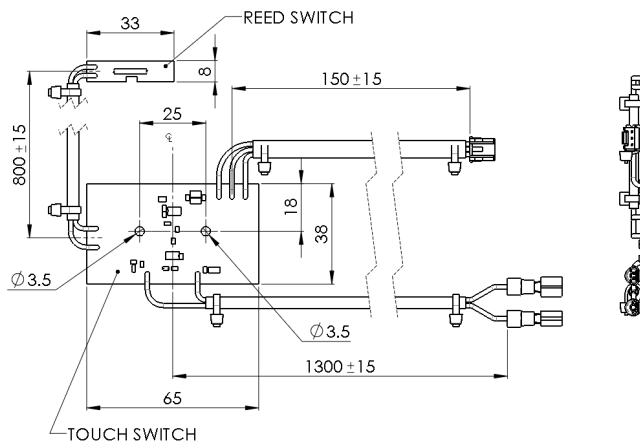
Ambient light



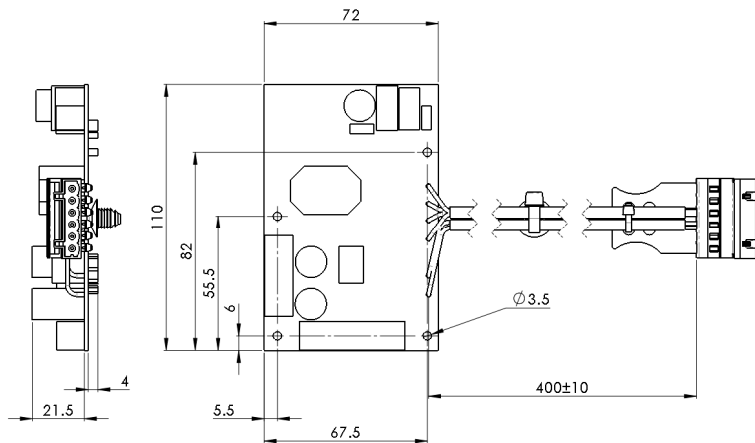
Secretary light



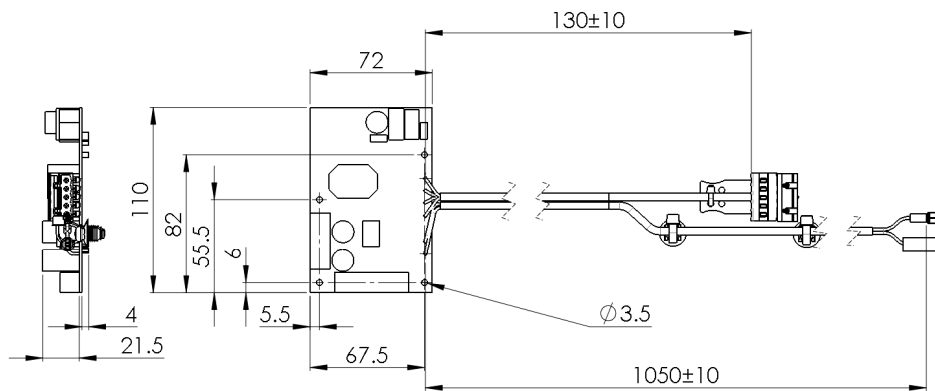
Touch switch/Reed switch



PSU 1CL



PSU 2CL



Compliance

The 1012 series are designed to comply with the following standards:

- > EN50121-3-2
- > EN61373
- > EN50155

Safety -

- > Input Voltage Transient Suppression.
- > Reverse Polarity Protection.
- > Galvanic Isolation

