

1

2

3

4

5

6

7

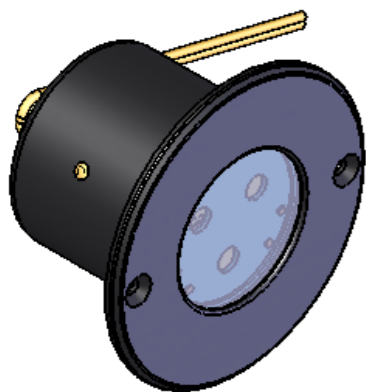
8

THIRD ANGLE PROJECTION

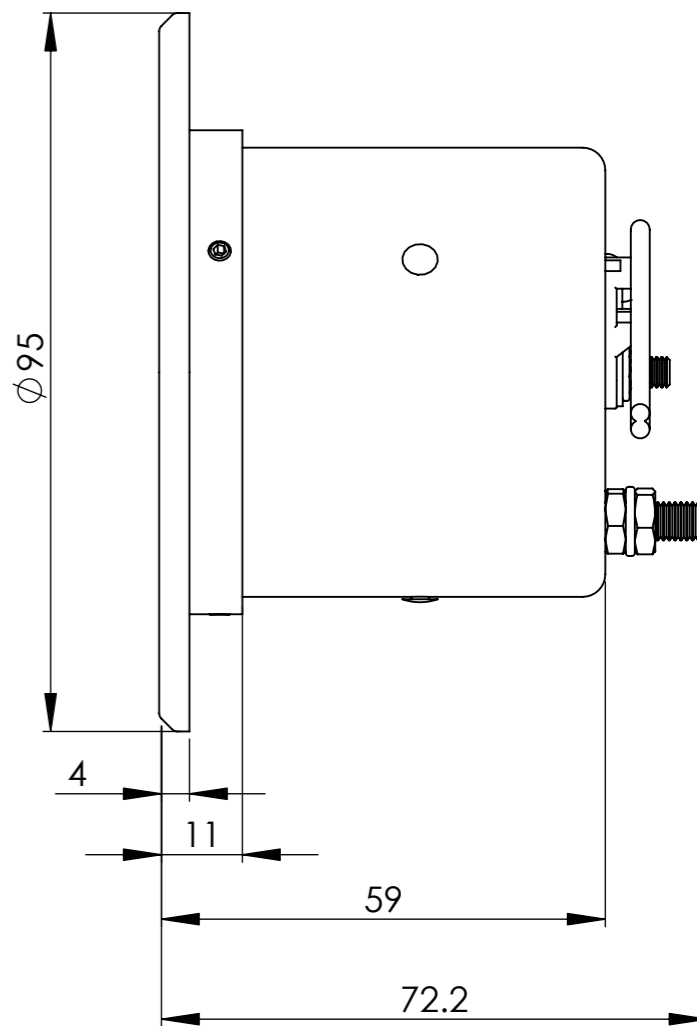
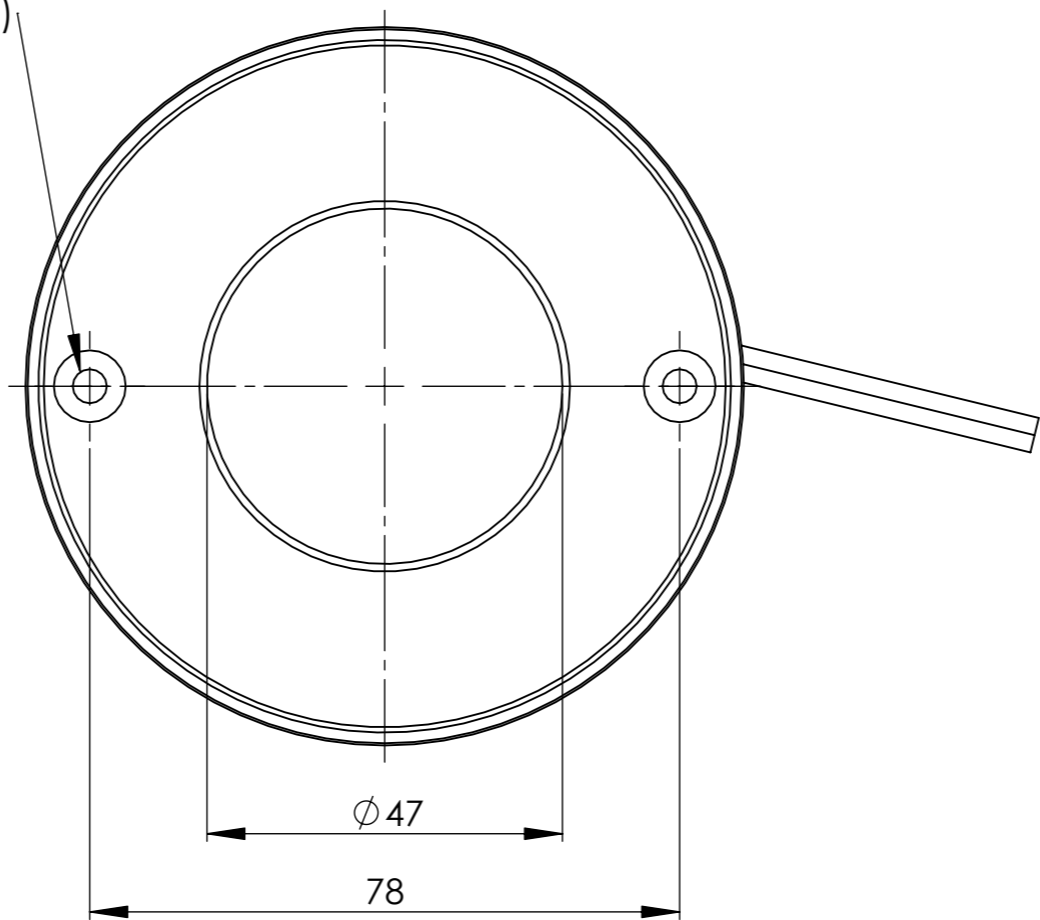
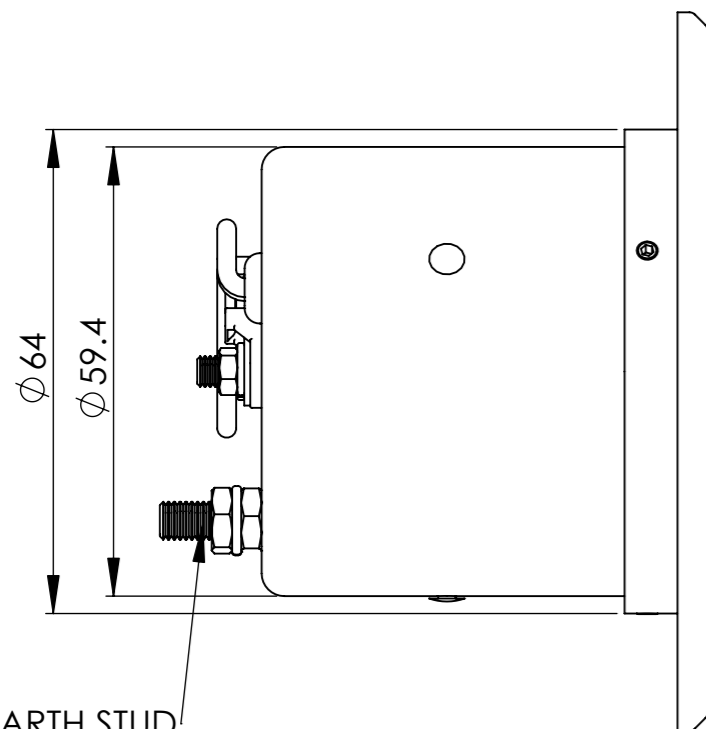


DO NOT SCALE - IF IN DOUBT ASK

ALL DIMENSIONS IN MILLIMETRES UNLESS STATED OTHERWISE



Ø4.5
(M4 CSK FIXING)



M5 EARTH STUD

SCALE	1:1, 1:2	ORIG. SIZE	A3
APPROVED FOR MANUFACTURE			
BY:-	DATE:-		
IF NOT SIGNED ABOVE THEN DOCUMENT IS FOR REFERENCE PURPOSES ONLY, NOT FOR MANUFACTURE AND NOT SUBJECT TO AMENDMENT CONTROL.			



RIPLEY DRIVE, NORMANTON
WEST YORKSHIRE, WF6 1QT
TEL: 01924 224100 FAX: 01924 224111

THIS DOCUMENT AND ANY INFORMATION DERIVED FROM IT ARE THE CONFIDENTIAL AND COPYRIGHT PROPERTY OF EXCIL ELECTRONICS LTD. AND MUST NOT BE USED FOR PURPOSES OTHER THAN THOSE FOR WHICH IT WAS SUPPLIED WITHOUT OUR WRITTEN APPROVAL. © EXCIL ELECTRONICS LTD

TITLE
LED DOWNLIGHT - SELF CONTAINED
G.A.

02	N/A				
01	N/A	D.DUFFIELD	26/10/06	P. OLEARY	26/10/06
ISS	EC	PREPARED BY	DATE	CHKD & APPRVD BY	DATE

SHEET 1 OF 1

DOC REF. 740107

ISSUE 02

Q0103508