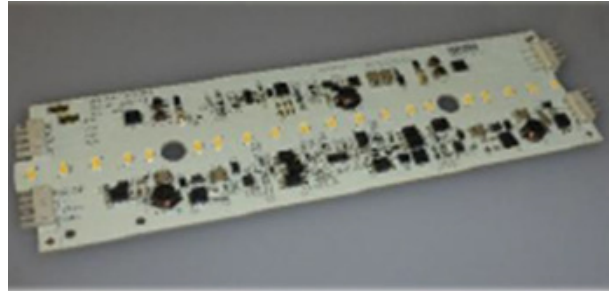


1023 Saloon LED modules & Connection Module



Product Overview

- › High reliability LED technology.
- › LED life expectancy greater than 100,000hrs to 70% of initial light output.
- › Incorporated degradation control feature.
- › Failure detection built in when used in conjunction with the lighting control Unit
- › Ultra-high reliability design
- › Low maintenance costs.
- › Offers energy savings compared to conventional light sources.



Product Codes

Description	Part Code
LED module A	1023100
LED module B	1023101
LED module C	1023102
Connection Module	1023103
Bridge Module	1023196



LPA Excil Electronics
Ripley Drive
Normanton
Wakefield
WF6 1QT

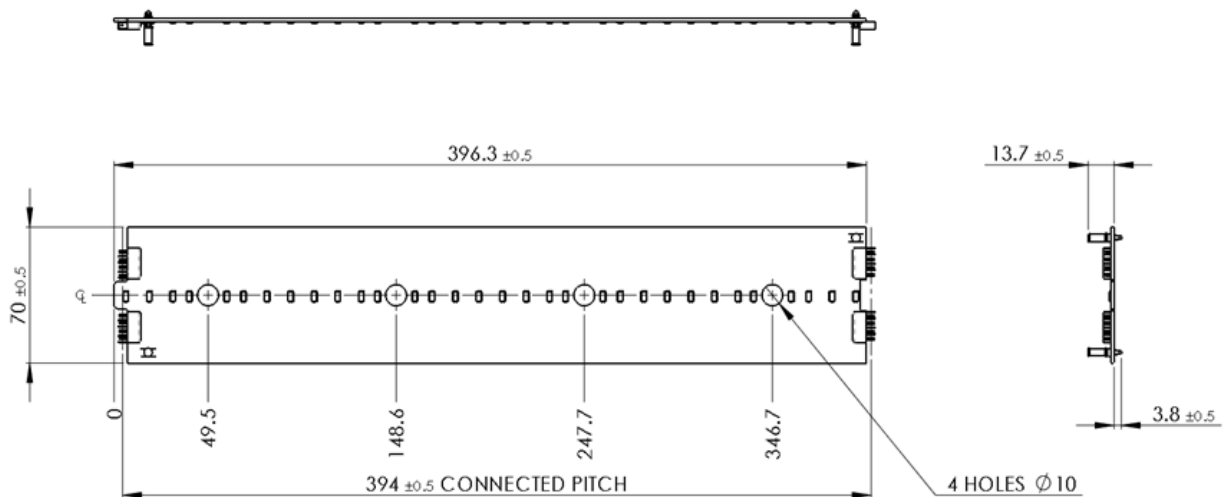
Email | www.lpa-group.com
Website | +44 (0) 1924 224100
Switchboard | +44 (0) 1924 224111
Fax |

Environmental Specification

	1023100	1023101	1023102	1023103/ 1023196
Shock and Vibration	EN61373			
Operating temperature range (°C)	-25 - +85			
Storage temperature range (°C)	0 - +50			
Colour Temperature	3700K — 4000K			
CRI	≥80			
Max continuous current through the boards	6A	6A	6A	6A
Input Supply Voltage range	67— 140 V			
Input voltage Limit without Damage	154V			
Input Current (Max Load @110VDC) Typical	92mA	50mA	35mA	-
Input Current (Max Load @110VDC) Typical EM Mode	15.5mA	15.3mA	11mA	-
Line regulation (% illuminance change due to supply variation from nominal)	7%	7%	7%	-
Peak inrush current (@peak sine) @110VDC	35A	35A	35A	-

Mechanical Specification

1023100 - LED Module A

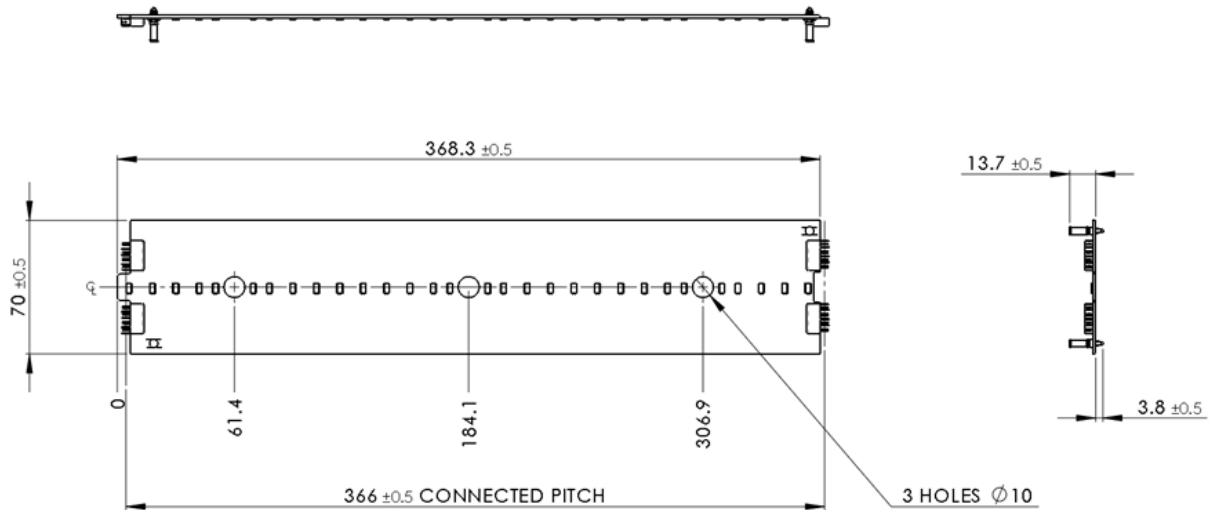


LPA Excil Electronics
Ripley Drive
Normanton
Wakefield
WF6 1QT

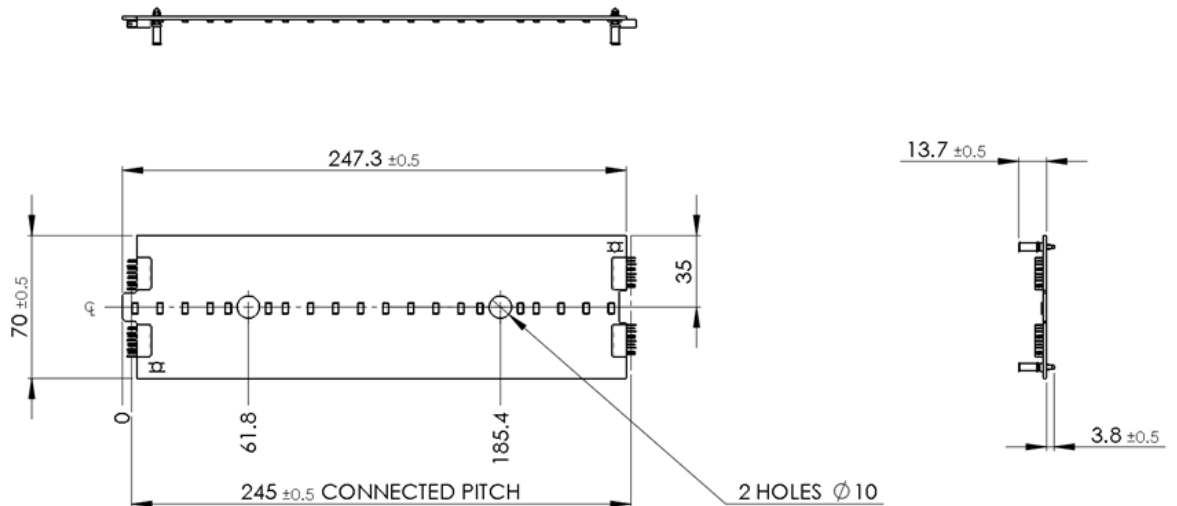
Email | www.lpa-group.com
Website | +44 (0) 1924 224100
Switchboard | +44 (0) 1924 224111
Fax |

Mechanical Specification

1023101 - LED Module B



1023102 - LED Module C



The 1023 Series complies with the following standards:

- › EN61373:1999 Rolling stock equipment. Shock and vibration.
- › EN50121-3-2:2006 Rolling stock equipment. Electromagnetic compatibility.
- › EN50155:2007 Electronic equipment used on rolling stock.

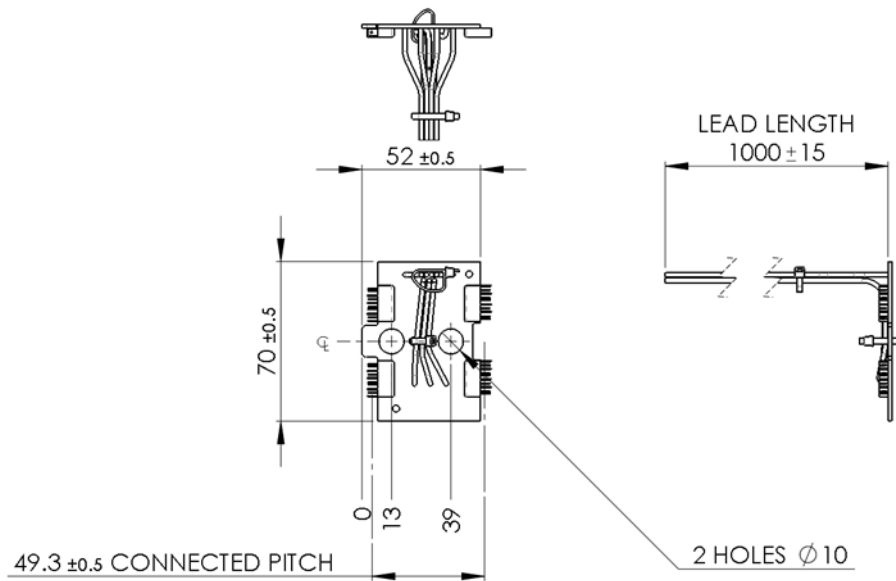


LPA Excil Electronics
Ripley Drive
Normanton
Wakefield
WF6 1QT

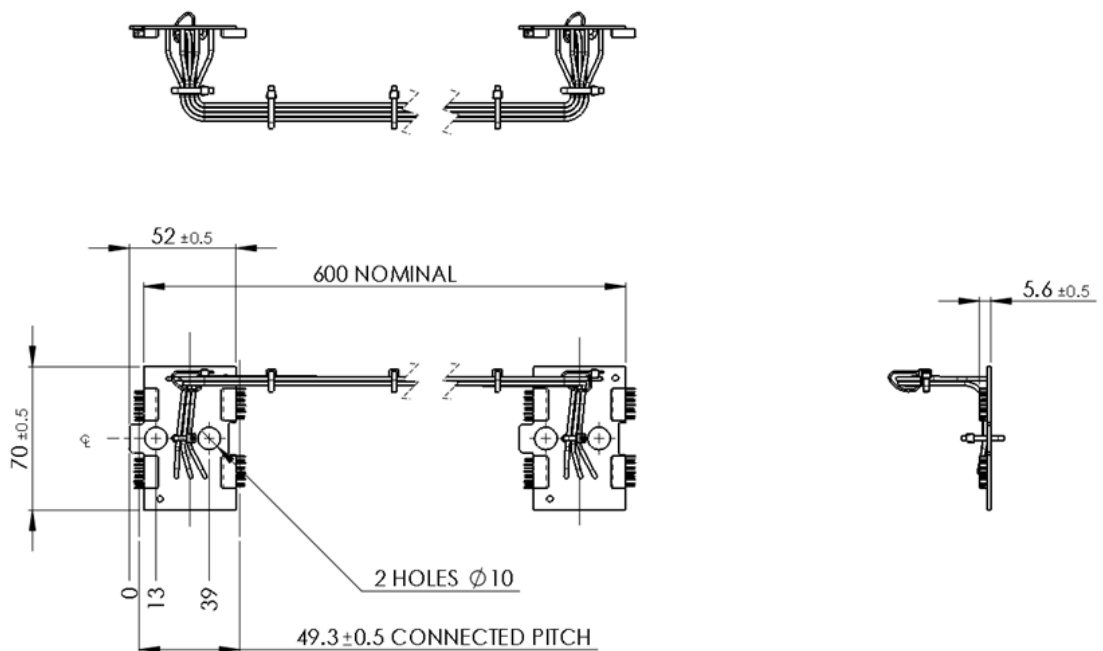
Email | www.lpa-group.com
Website | +44 (0) 1924 224100
Switchboard | +44 (0) 1924 224111
Fax |

Mechanical Specification

1023103 - Connection Module



1023196 - Bridge Module



* All measurements are in mm



LPA Excil Electronics
Ripley Drive
Normanton
Wakefield
WF6 1QT

Email | www.lpa-group.com
Website | +44 (0) 1924 224100
Switchboard |
Fax | +44 (0) 1924 224111

Installation Guide

	All variants
Input voltage	110VDC
Impedance Ω	2
Maximum continuous loop in/out Current	6A

	Hermaphroditic	Cable Marker
Pin 1	Supply line 1 Pos	1— SL1+
Pin 2	Supply line 1 Negative	2 -SL10
Pin 3	Supply line 2 Pos	3 -SL2+
Pin 4	Supply line 2 Negative	4 -SL20
Pin 5	Emergency mode	5—Em Light
Pin 7	Control Bus Wire 0	7—CTRL 0
Pin 8	Control Bus Wire 1	8—CTRL 1



LPA Excil Electronics
 Ripley Drive
 Normanton
 Wakefield
 WF6 1QT

Email | www.lpa-group.com
 Website | +44 (0) 1924 224100
 Switchboard | +44 (0) 1924 224111
 Fax |